



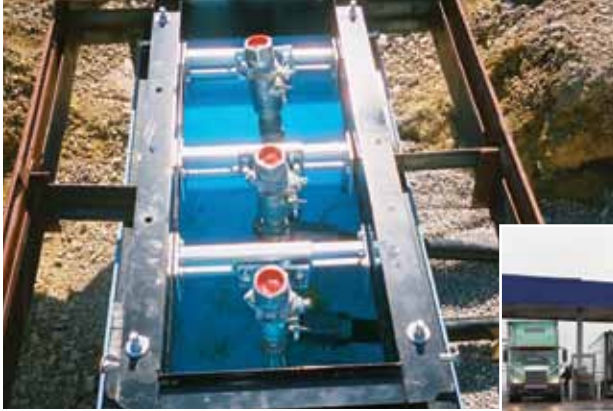
*Double Containment Piping for Diesel, Gasoline, Biofuels and DEF*



*New UL 971A Listed Fitting for Easier Assembly*



## Installation Applications and Uses



### UST – Features and Benefits

As with the entire line of semi-rigid piping from OmegaFlex, DoubleTrac is flexible, direct burial piping that is easier to install and is less labor intensive than rigid piping installations. DoubleTrac requires no special tools to assemble, can be bent by hand and the patented field attachable fittings provide a reliable metal to metal seal through proven technology. It's supplied in continuous lengths from a spool that eliminates the need for splice joints, no electro-fusion joint welding, no adhesives, no curing problems, and no leaks.



### AST – Features and Benefits

DoubleTrac's innovative double wall design includes a UV stabilized Nylon 12 outer layer, providing excellent resistance to weathering, and chemical exposure.

Elbows and tees available to facilitate installations in restricted spaces, double containment flow through maintained throughout all fittings.



### Marina – Features and Benefits

Routes easily along or underneath docks. The Nylon 12 outer jacket is UV stabilized and salt water resistant; no chase pipe required. Can be supplied in extra long continuous lengths; eliminating transition sumps on the dock. Additionally, a double containment flexible floating dock connector is available.



### Aviation – Features and Benefits

Suitable for use with all aviation fuels; utilizing the DoubleTrac stainless steel fittings, all wetted surfaces are stainless steel. Secondary containment rated for 50 psig or full vacuum allowing for continuous monitoring.



## Product Specifications / DoubleTrac® Flexible Piping

Size	1"	1.5"	2"
Part No.	UGF-FSP-16	UGF-FSP-24	UGF-FSP-32
Description	1" Double Wall Flexible Piping	1.5" Double Wall Flexible Piping	2" Double Wall Flexible Piping
Working Pressure (PSIG)	125 Primary 50 Secondary	100 Primary 50 Secondary	75 Primary 50 Secondary
Minimum Bend Radius (INCHES)	12	24	32
Weight (LBS/FT)	0.75	1.50	2.00
Lengths	up to 1000 ft.	up to 1000 ft.	up to 1000 ft.
Operating Temperature	-20° F to 120° F		

### 1) Corrugated Stainless Steel Primary Pipe

This zero-permeation, ASTM A 240 316 series stainless steel pipe is highly resistant to corrosion, providing longer life and exceptional crush resistance.

### 2) EFEP Secondary Barrier Jacket

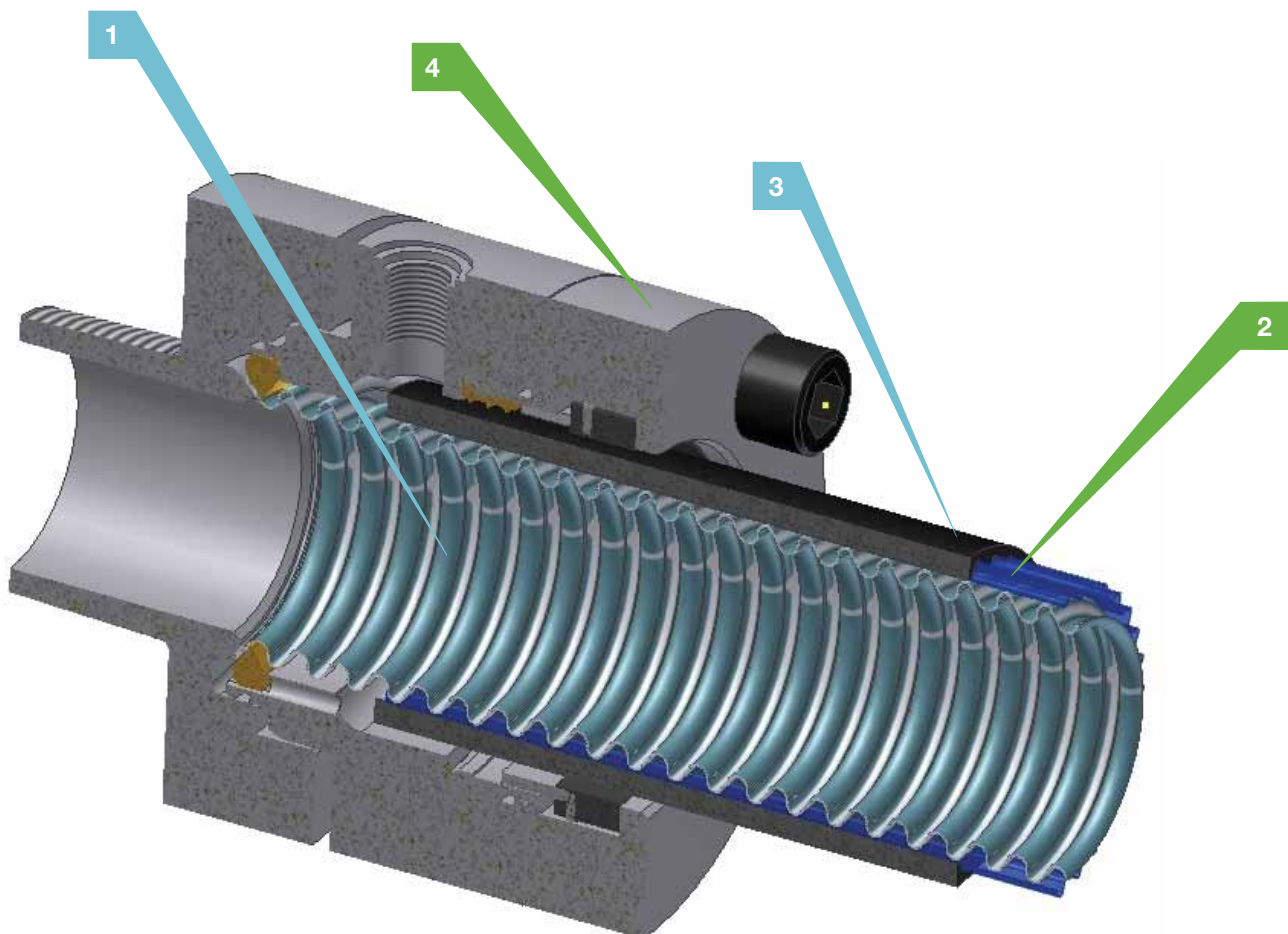
This layer is bonded to the Nylon 12 protective layer to offer secondary containment with exceptional permeation resistance for product compatibility. Interstitial space allows continuous monitoring for leak detection, with a 50 psig rating for pressurized systems.

### 3) UV Stabilized Nylon 12 Outer Jacket

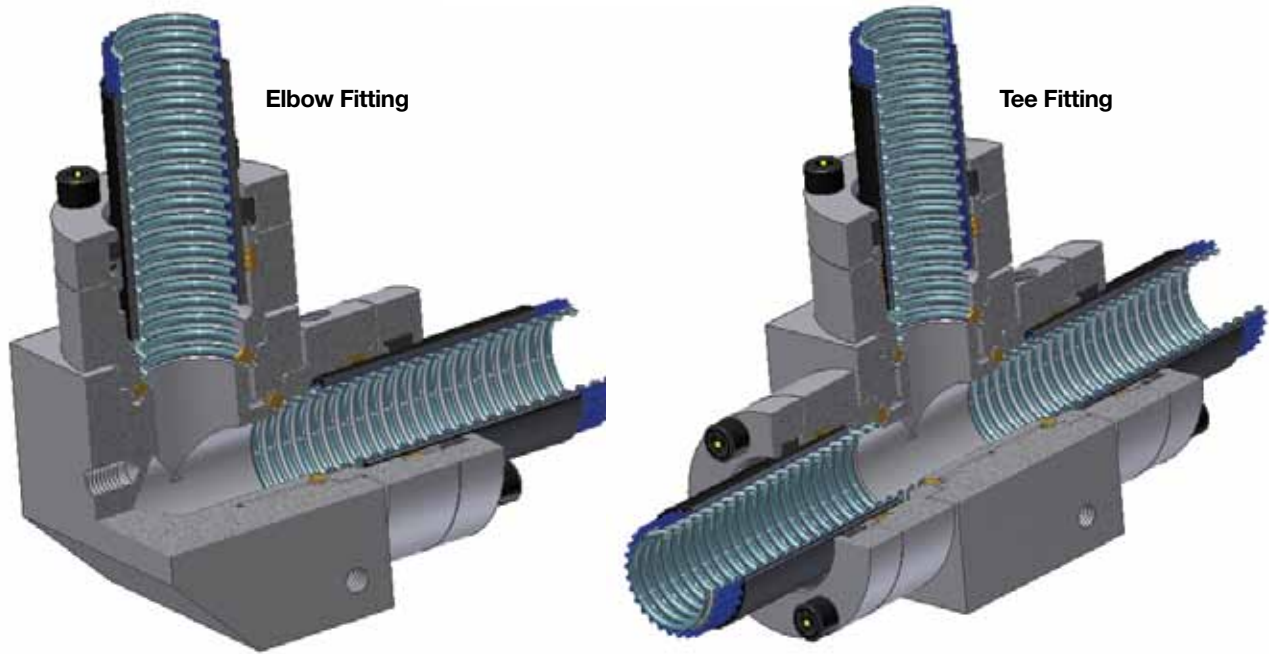
This direct-burial layer offers exceptional resistance to hydrocarbons, chemical and water exposure, and carries a 50 psig rating. UV stabilized for above ground and marine use.

### 4) New Quicker, Easier Assembly Fitting

Provides a metal to metal sealing surface that's unsurpassed in reliability and user friendliness, and is field-attachable using standard tools. Available in Alloy 360 Brass or Stainless Steel.



## New Easier Assembly Fittings



### Specification Data

#### Corrugated Stainless Steel Tubing Materials

MECHANICAL JOINT FITTING: Alloy 360 Brass or Stainless Steel Fitting

NOTE: Fitting joint with tubing shall provide a metal-to-metal seal; no gaskets permitted

NOTE: All fittings meet Salt Spray Test requirements of ASTM B-117-90

NOTE: UL 971A listed file number MH 45578, titled Integral Primary/Secondary for all Fuels

## OmegaFlex®

### Background

Established in 1975, OmegaFlex is the preeminent international producer of flexible metallic piping products. With over 90 patents registered worldwide, OmegaFlex supplies proprietary products for a broad number of applications and markets, which include primary steel production, semiconductor, medical, pharmaceutical, petrochemical, residential and commercial construction, and power generation.

### OmegaFlex Philosophy

- Provide our customers quality products through teamwork and continuous improvements
- Strive for zero defects
- Create an environment that allows continuous and above average growth
- Provide a positive working environment with a commitment to employee training
- Stress quality awareness and its benefits to both customers and employees
- Empower our employees to perform to the best of their abilities

### OmegaFlex Products and Install Base

OmegaFlex is committed to serving its customers with the largest selection of sizes and materials in the corrugated metal flexible piping industry. Whether it is designing highly engineered specialty assemblies for OEM applications, gas piping for new home construction, supporting its large network of fabricating distributors, or designing the new DoubleTrac® flexible piping system, OmegaFlex has the dedication and the resources to meet the needs of today's demanding requirements. Listed below are some of the standard products offered by OmegaFlex.

**Industrial Metal Hose**—Highly engineered assemblies for numerous applications such as steel mills, petrochemical facilities, power generation and cryogenic applications.



For more information please visit us at  
[www.doubletrac.net](http://www.doubletrac.net) or call 1-800-355-1039.

[www.DoubleTrac.net](http://www.DoubleTrac.net)

© Copyright Omega Flex

**OmegaFlex®**

**Omega Flex, Inc.**

451 Creamery Way, Exton, PA 19341-2509

Tel: 1-610-524-7272 Fax: 1-610-524-6484

Toll Free: 1-800-355-1039

DBT-110 / REV 1/2013